

SERVICE MANUAL

BELT DRIVE SEMI
AUTOMATIC TURNTABLE

SANSUI P-1000

CAUTION

1. Parts identified by the \triangle symbol on the schematic diagram and the parts list are critical for safety. Use only replacement parts that have critical characteristics recommended by the manufacturer.
2. Make leakage-current or resistance measurements to determine that exposed parts are acceptably insulated from the supply circuit before returning the appliance to the customer.

● SPECIFICATIONS

Type	Beltdrive system
Rated speeds	33-1/3, 45 rpm
Platter	Aluminum alloy diecast, 310 mm (12-3/32") diameter, 0.75 kg (1.7 lbs.) weight
Motor	DC Servo Motor
Wow/flutter	0.1 % (WRMS)
Signal-to-noise ratio	Better than 72 dB (DIN-B)
Effective tonearm length	218 mm (8-19/32")
Power voltage	120 V/220 ~ 240 V (50/60 Hz)
For U.S.A. and Canada	120 V (60 Hz)
Power consumption	10 W
Dimensions	418 mm (16-15/32") W 115 mm (4-17/32") H 341 mm (13-7/16") D
Weight	3.5 kg (7.7 lbs.) net
Dust Cover-less	2.9 kg (6.4 lbs.) net
Pick up	
Type	Dual Magnet type
Output voltage	2.5 mV (1,000 Hz, 35.4 mm/sec)
Correct load impedance	47 kohms
Frequency response	20 ~ 20,000 Hz
Stylus	0.6 mil diamond stylus (SN-3601 replacement stylus)

● Design and specifications subject to changes without notice for improvements.

Sansui

SANSUI ELECTRIC CO., LTD.

NOTE

1. The symbols, UL, CSA, SA, BS, UK, EU, AS, SEV, SS, XX <EXPORT> and XX-V <EXPORT(V)> on the parts list and the schematic diagram mean followings respectively.

UL..... Manufactured for U.S.A market.
 (Underwriters Laboratories approved model.)
 CSA Manufactured for Canadian market.
 SA..... Manufactured for South African market.
 BS, UK Manufactured for United Kingdom market.
 EU Manufactured for European market.
 AS..... Manufactured for Australian market.
 SEV Manufactured for Swiss market.
 SS..... Manufactured for Saudi Arabian market.
 XX <EXPORT> Standard Version with Inner Voltage Selector.
 XX-V <EXPORT(V)> .. Standard Version with Outer Voltage Selector.
 NON MARK Common Parts.

2. Some printed circuit boards are not supplied assembled. To separate these in this service manual, the stock numbers are not indicated for these boards. However, stock numbers for individual parts are indicated.
3. Since some capacitors and resistors are omitted from parts lists in this service manual, refer to the Common Parts List for capacitors and resistors, which was issued on June 1987.
4. Abbreviations in this service manual are as follows.

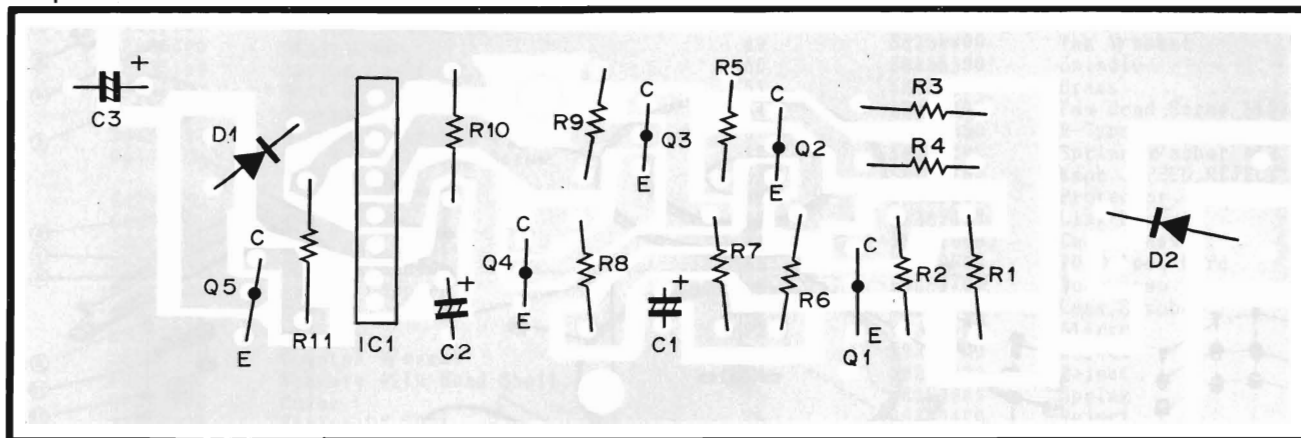
•Abbreviations List

C.R. : Carbon Resistor	E.B.L. : Low Leak Bi-Polar
S.R. : Solid Resistor	Electrolytic Capacitor
Ce.R. : Cement Resistor	Ta.C. : Tantalum Capacitor
M.R. : Metal Film Resistor	F.C. : Film Capacitor
F.R. : Fusing Resistor	M.P. : Metalized Paper Capacitor
N.I.R. : Non-Inflammable Resistor	P.C. : Polystyrene Capacitor
A.R. : Array Resistor	G.C. : Gimmic Capacitor
C.C. : Ceramic Capacitor	A.C. : Array Capacitor
C.T. : Ceramic Capacitor,	V.R. : Variable Resistor
Temperature Compensation	S.V.R. : Semi Variable Resistor
E.C. : Electrolytic Capacitor	SW. : Switch
E.L. : Low Leak Electrolytic	Chip R. : Chip Resistor
Capacitor	Chip C. : Chip Capacitor
E.B. : Bi-Polar Electrolytic	
Capacitor	

1. PARTS LOCATION & PARTS LIST

1-1. 8701 Reject Control Board

Component Side

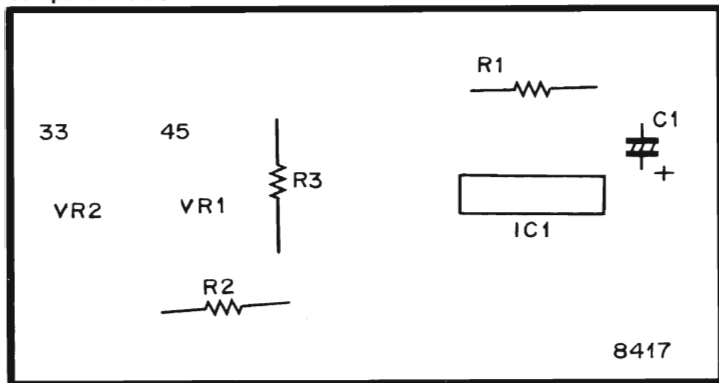


Parts List

Parts No.	Stock No.	Description
•Transistor		
Q1~4	48058701	2SC1740
Q5	03069101	2SC2060
•IC		
IC1	48066400	BA222
•Diode		
D1~2	03117400	1N4002

1-2. 8417 Motor Control Board

Component Side

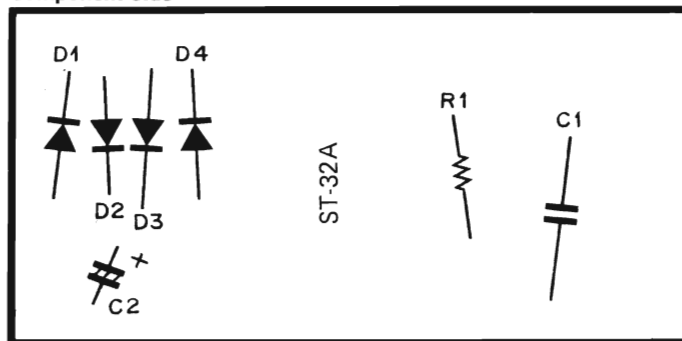


Parts List

Parts No.	Stock No.	Description
•IC		
IC1	58394000	LA5512
VR1	58394100	20kΩ S.V.R., 45rpm Adj.
VR2	58394200	30kΩ S.V.R., 33rpm Adj.

1-3. ST-32A Power Supply Board

Component Side

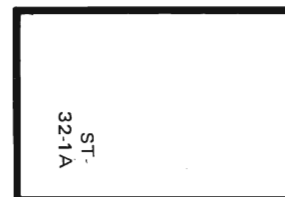


Parts List

Parts No.	Stock No.	Description
•Diode		
D1~4	03117400	1N4002

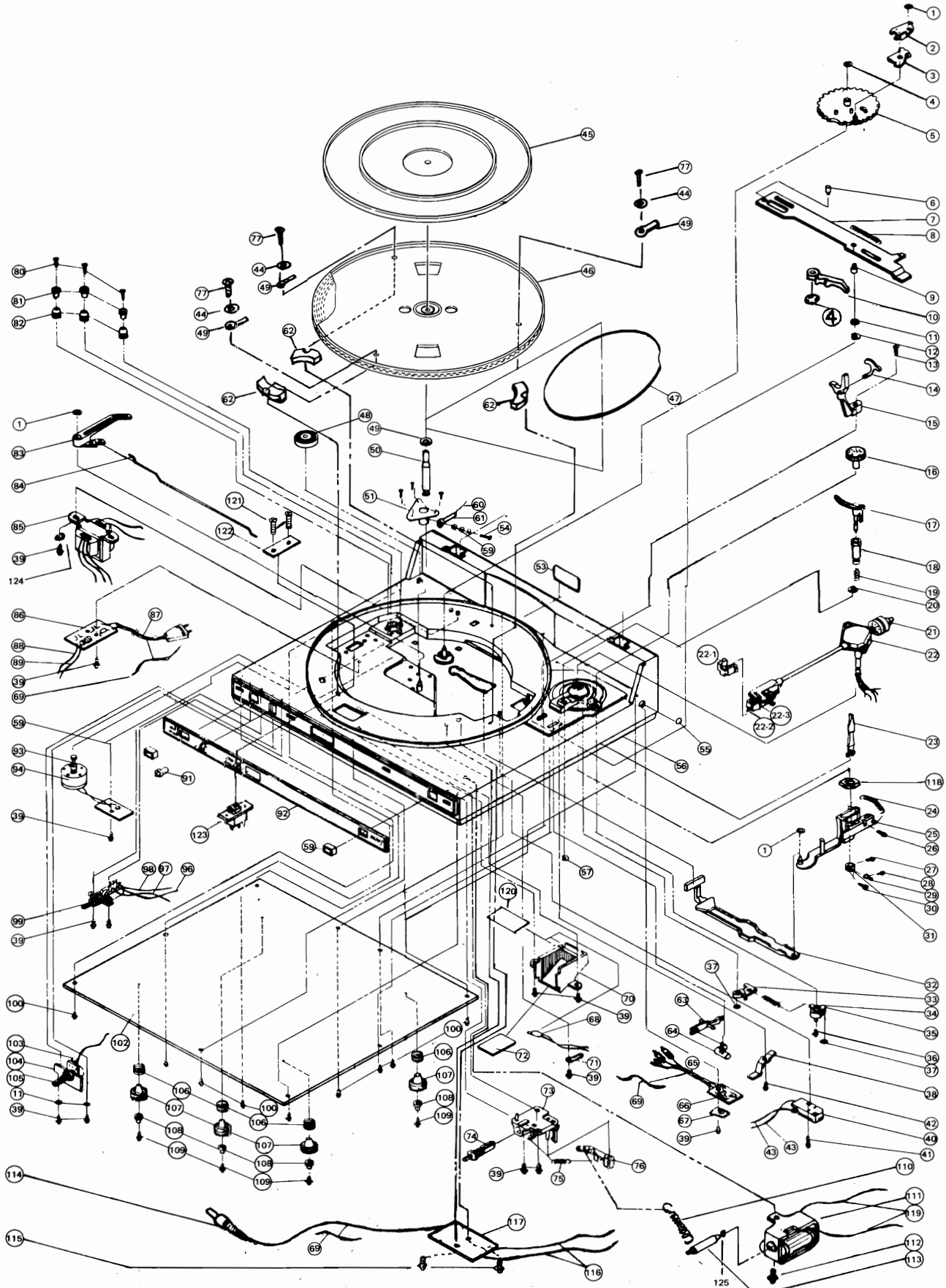
1-4. Wiring Board

Pattern Side



2. EXPLODED VIEW & PARTS LIST

•Though every part included in unit ass'y is numbered in exploded view, parts unlisted in the parts list are not supplied.



Parts List

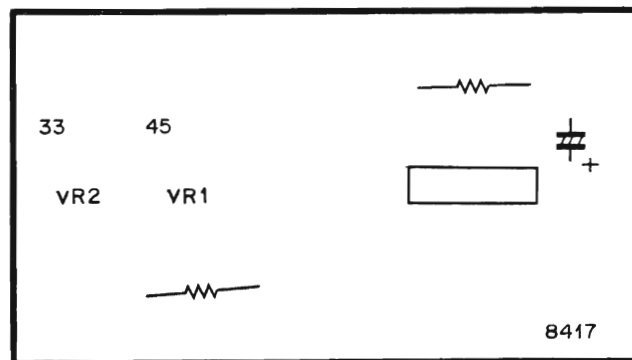
Parts No.	Stock No.	Description
1	51822900	CS-type Washer,d=3
2	58384800	Upper Trip
3	58384900	Lower Trip
4	51822700	CS-type Washer,d=4
5	58385000	Main Gear
8	58385100	Spring Lever
10	58385200	Shut OFF Plate, SW.,
11	00466700	Washer
12	00489200	E-type Washer,d=3
13	00418700	Pan Head Tapping Screw M3x10
14	58385300	Arm Clip
15	58385400	Arm Rest
16	58385500	Knob,Anti-Skate
17	58385600	Tonearm Elevator
18	58385700	Insert Copper
19	58385800	Spring
20	58385900	Washer
21	58386000	Counter Weight
22	58386100	Tonearm with Head Shell
22-1	58386200	Cover
22-2	48940400	Stylus,SN-3601
22-3	48998900	Cartrige,SV-3601 MK2
23	58386400	Lever,Knob
24	58386500	Spring
25	58386600	Link Ass'y
26	58386700	Pan Head Tapping Screw M3x20
27	00421900	Pan Head Screw M2x6
28	58386800	Pan Head Screw M2x2
29	58386900	Lug
30	00452800	Hexagon Socket Head Screw M3x16
31	58387000	Accessory,Tonearm
32	58387100	Slide Plate,Return
33	58387200	Lever Anti-Skate
34	58387300	Spring Anti
35	58387400	Lever Anti-Skate
36	58387500	Pan Head Tapping Screw M3x6
37	58387600	CS-type Washer,d=2.6
38	58387700	Spring,Cueing
39	00440900	Pan Head Tapping Screw M3x8
40	58387800	Micro SW.,
41	58387900	Pan Head Tapping Screw M3x17
42	00440800	Pan Head Tapping Screw M3x6
44	58388000	Indicator Level

Parts No.	Stock No.	Description
45	58388100	Rubber Mat
46	58388200	Turntable Platter
47	58388300	Belt
48	13012300	45rpm Adaptor
49	58388400	Tag Washer
50	58388500	Spindle
51	58388600	Brass
54	58388800	Pan Head Screw M3x4
57	00489300	E-Type Washer,d=4
58	58389000	Spring Washer M3
59	58389100	Knob.,SPEED,REJECT
62	58389300	Protector
63	58389400	Link Lever
64	58389500	Cueing Ass'y
65	58389600	PU Output Cord
68	58389700	Neon Lamp
70	58389800	Lens,Strobe
72	58390000	Mirror
73	58390100	Reject
74	58390200	Reject
75	58390300	Spring
76	58390400	Reject
77	58390500	Shipping Screw M4x32
80	58390700	Pan Head Screw M2.6x7
81	58390800	Collar, Motor
82	58390900	Cushion, Motor
83	58391000	Wiper,Reject
84	58391100	Rod,REJECT
△ 85	58391200	Power Transformer
△ 87	58391300	AC Power Cord
91	58391500	Knob,PITCH
92	58391600	Acrylic Plate
93	58391700	Motor Pulley
94	58391800	Motor
99	58391900	Push SW., SPEED
100	00441000	Pan Head Tapping Screw M3x10
105	58392200	Variable Resistor 5kΩ, Pitch Control
106	58392300	Spring Stand
107	58392400	Rubber Stand
108	58392500	Collar,Stand
109	58392600	Pan Head Tapping Screw M3x18
110	58392700	Spring
111	58392800	Plunger Solenoid
112	00440900	Pan Head Tapping Screw M3x8
113	58392900	Shaft
△ 123	58393400	Slide SW.,Voltage Selection

3. SPEED ADJUSTMENT (See Fig. 3-1)

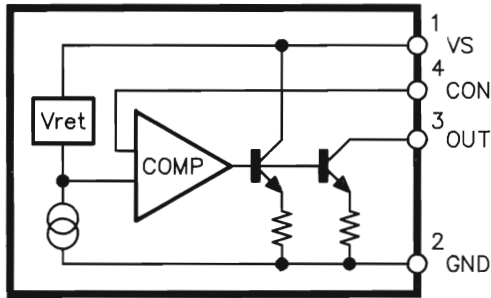
1. Set the Pitch Control on Control Panel to Center Position.
2. Set the Speed to 33rpm and adjust the Volume 33 on the 8417 control board using a small Screwdriver so that the 33rpm Strbo Pattern is Seen to Stop.
3. Set the Speed to 45rpm and adjust the Volume 45 on the 8417 control board using a small Screwdriver so that the 45rpm Strbo Pattern is Seen to Stop.

(Fig 3-1)

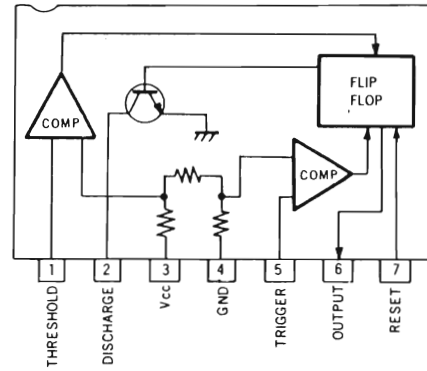


4. INTERIOR BLOCK DIAGRAM OF IC

●LA5512 (Motor drive)



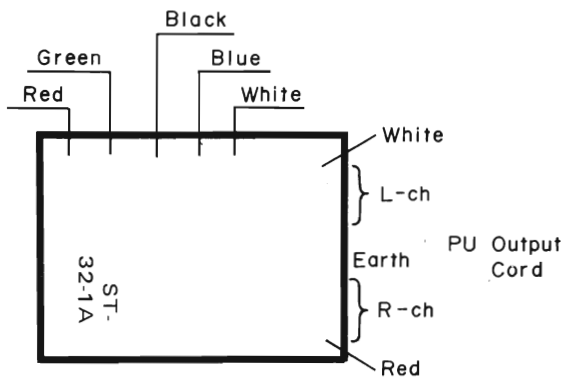
●BA222 (Timer & Monostable Multivibrator)



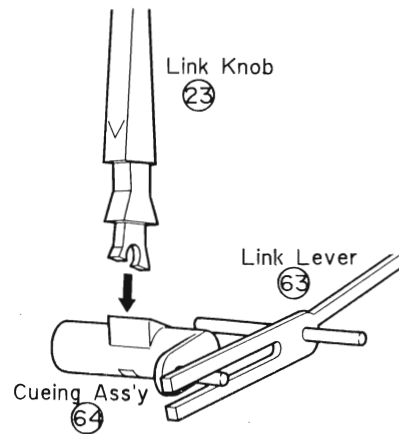
5. MAIN PARTS REPLACEMENT

- 1 How to remove the Arm Ass'y (See 2. Exploded View on Page 3).
 1. Remove the wire from the ST-32 wiring Board (Fig 5-1).
 2. Loosen the Screws (27), (30) to pull out Tonearm Accessory(31).
 3. Pull out the Link Ass'y (25).
 4. Loosen the Nut fixing the Tonearm to remove the Arm Ass'y.
- 2 How to remove the Link Knob (Fig 5-2).
 1. Link Knob (23) is put in the Cueing Ass'y (64).
 2. Pull the Link Knob to the arrow direction.

(Fig 5-1)



(Fig 5-2)



A

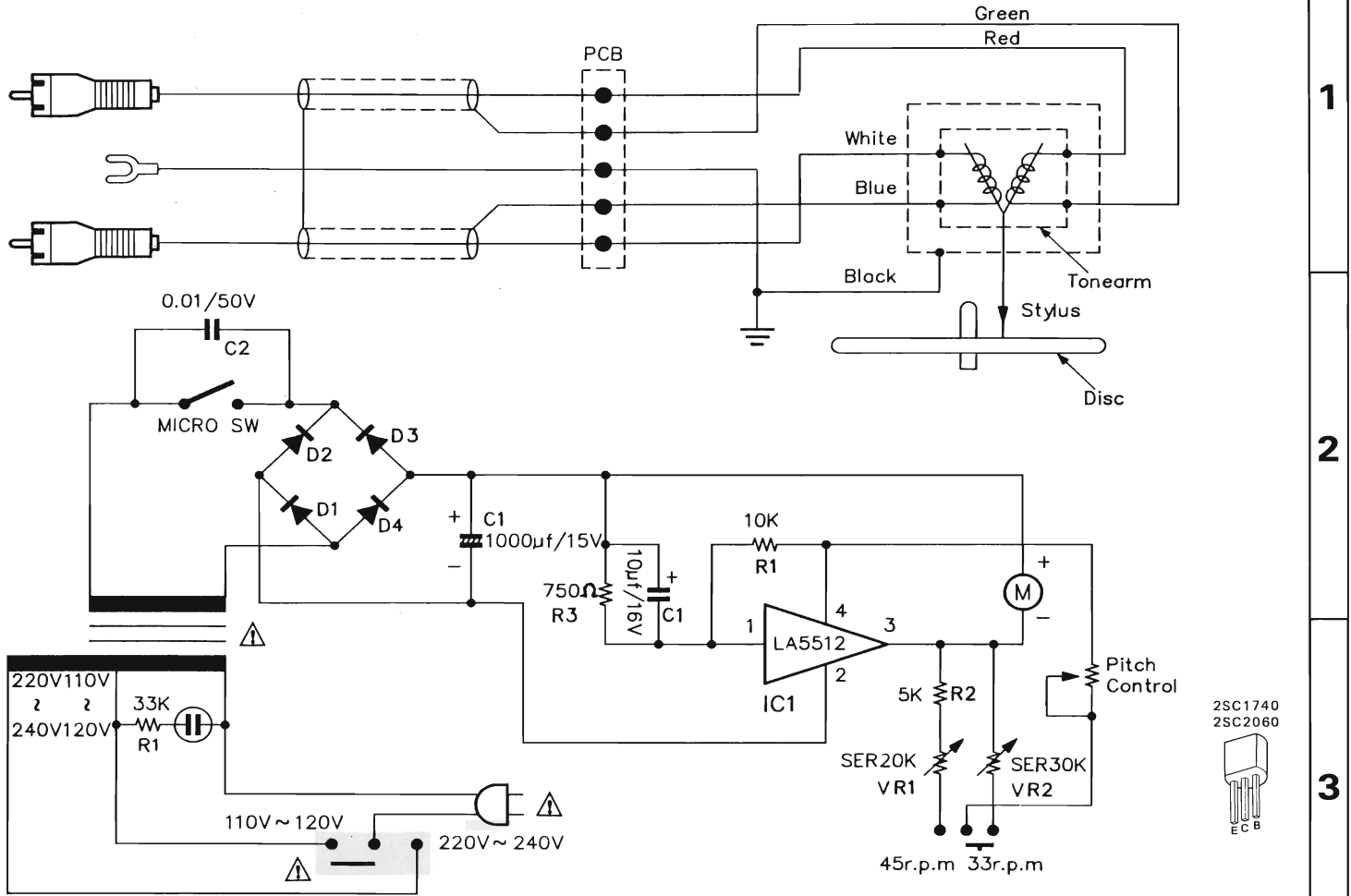
B

C

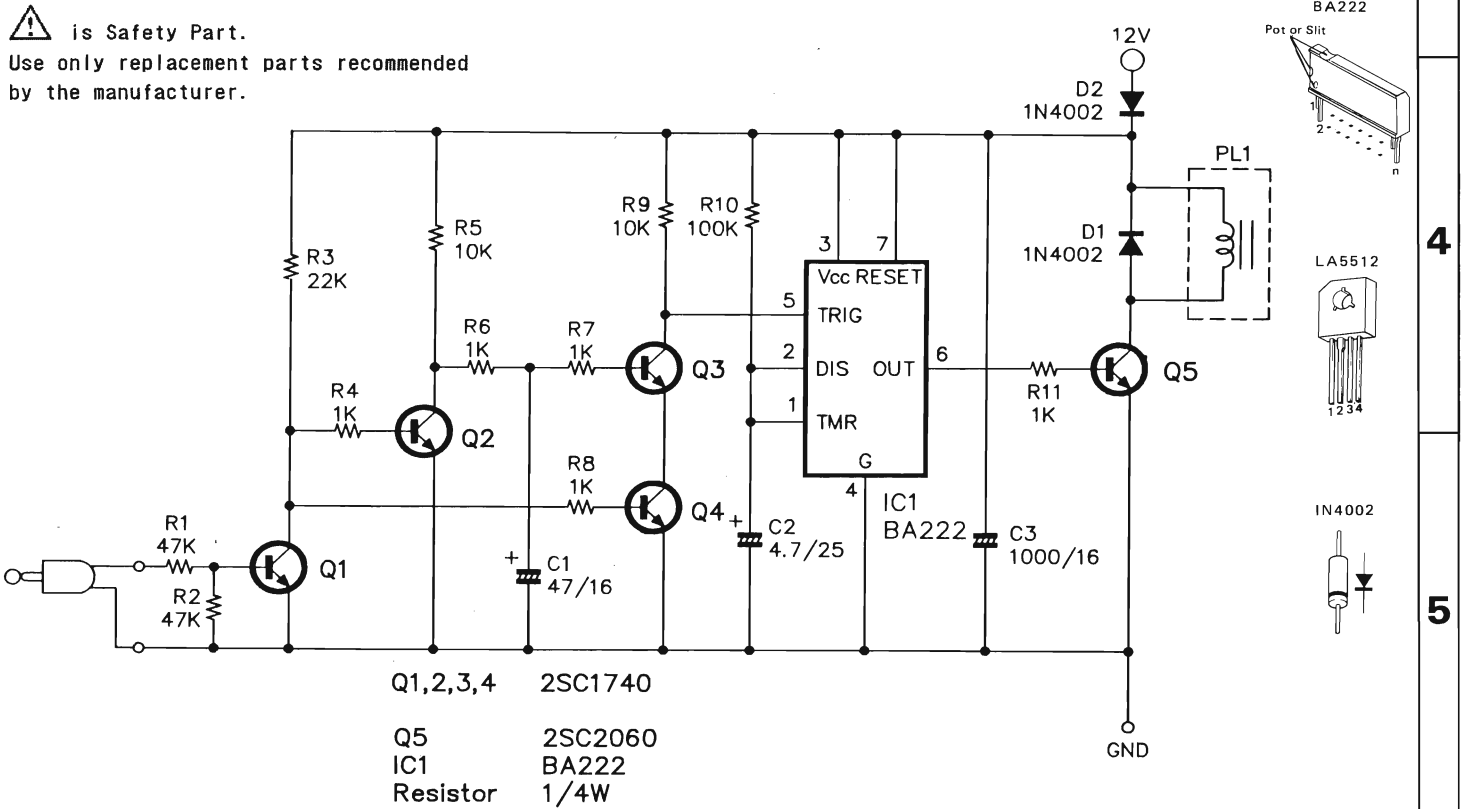
D

6. SCHEMATIC DIAGRAM

• Design and specifications subject to change without notice for improvements.



is Safety Part.
Use only replacement parts recommended by the manufacturer.



Q1,2,3,4 2SC1740
Q5 2SC2060
IC1 BA222
Resistor 1/4W

1

2

3

4

5

7. PACKING LIST

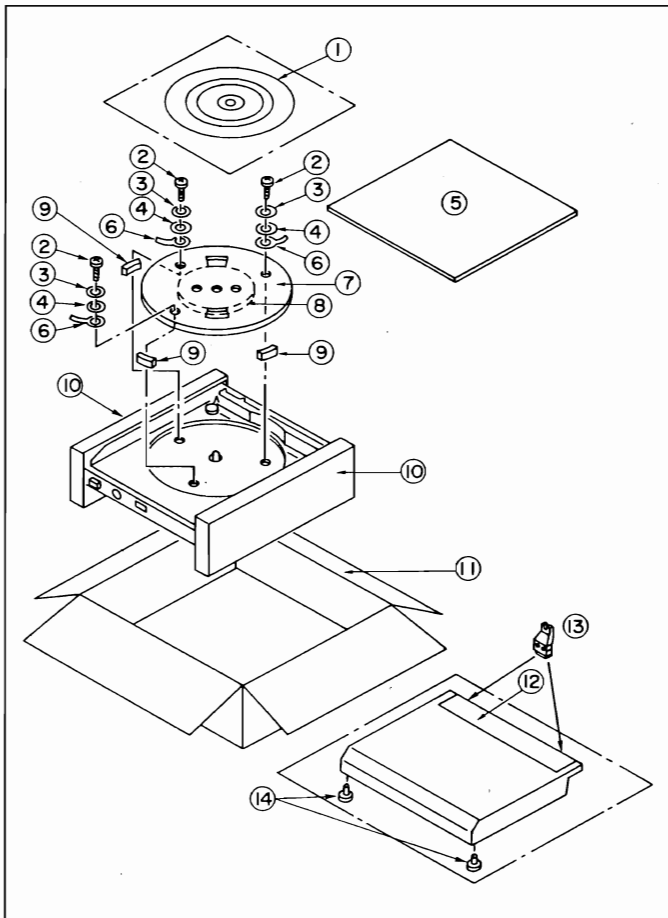
Parts List		
Parts No.	Stock No.	Description
1	58388100	Rubber Mat
2	58390500	M4x32 Shipping Screw
3	00466700	Steel Washer
4	58388000	Indicator Label
5		Protector Board
6	58388400	Tag Washer
7	58388200	Turntable Platter
8	58388300	Belt
9	58389300	Protector
10	58393900	Styrofoam Packing
11	58393700	Carton Case
	58393800	Carton Case.M
12	58391400	Dust Cover
13	58388700	Hinge
14	58390600	Cushion

8. ACCESSORY LIST

Parts List		
Stock No.	Description	
58393500	Operating Instruction	
13012300	45rpm Adaptor	

NOTE: There are two types of unit in P-1000.

- 1) The unit with a Dust Cover.
 - 2) The unit without a Dust Cover.
- ("M" Mark is indicated on the Carton Case)



Sansui

SANSUI ELECTRIC CO., LTD.:

SANSUI ELECTRONICS CORPORATION:

SANSUI ELECTRONICS (U.K.) LTD.:
SANSUI ELECTRONICS G.M.B.H.:

14-1, Izumi 2-chome, Suginami-ku, Tokyo 168 Japan
PHONE: (03) 324-8891/TELEX: 232-2076 (International Division)
1250 Valley Brook Ave. Lyndhurst, N.J. 07071 U.S.A.
17150 South Margay Ave. Carson, California 90746 U.S.A.
3036 Koapaka Street, Honolulu, Hawaii 96819 U.S.A.
Unit 10A, Lyon Industrial Estate, Rockware Avenue, Greenford, Middx UB6, OAA, England
Pau Ehrich Strasse 8, 6074 Rödermark 2, West Germany